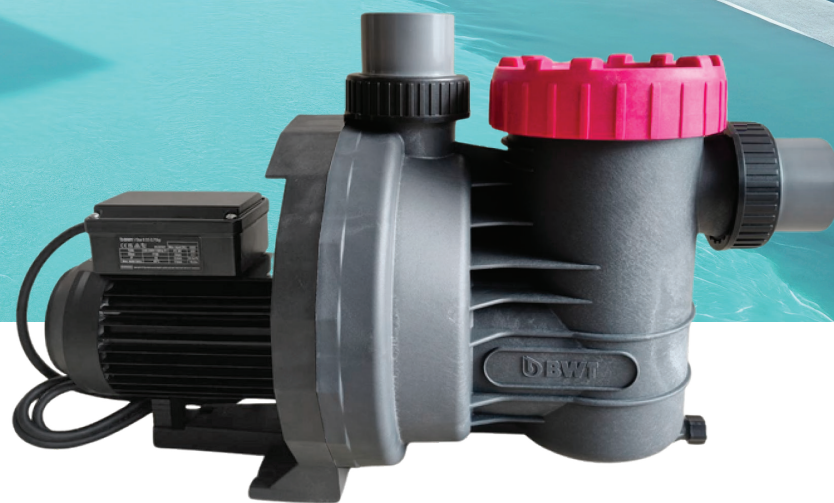




BWT I-Star II

Quiet, Economical, Hard Wearing



 For You and Planet Blue.



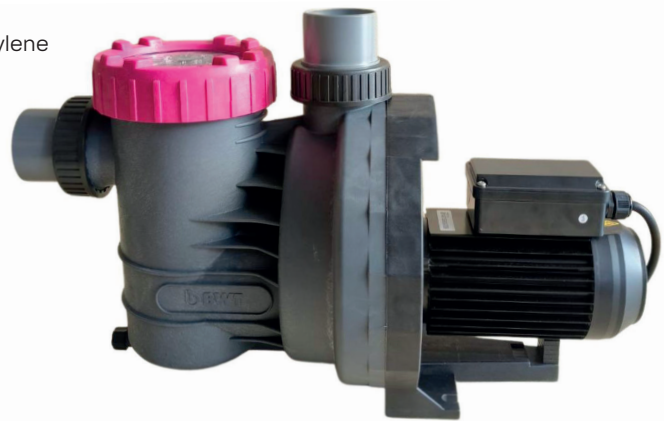
Corrosion-resistant construction, protected mechanical seal, and an innovative low-friction design delivers exceptional durability and ultra-quiet performance.



Reactive and intuitive

- Pump body and pre-filter made of fibreglass reinforced polypropylene
- Inlet and outlet ports, 50 mm
- Large capacity pre-filter
- Transparent lid threaded around the exterior
- Self priming up to 1.5 m
- Unbeatable value for money

Thanks to the impeller's unique design, the motor shaft never comes into contact with the water. This means that stray current will never leak into the pool.



Technical information & materials

Pump casing	PP GF 30
Intermediate housing	PP GF 30
Gland housing	PP TV 40
Diffuser	A 6 GF 15
Impeller	PA 66 GF 30
Strainer basket	PP
Lid	PC, transparent/PP GF 30
Mechanical seal	Carbon/ceramic/NBR
Screws	Stainless steel grade: 304
Unions with glue sockets	ABS
Elastomers	NBR
Strainer tank capacity	approx. 3L
Strainer basket mesh size	approx. 3.2 x 2.6 mm



Corrosion Resistant

The body of the pump and the pre-filter are made of fibreglass reinforced polypropylene. This renders the pump entirely resistant to corrosion.

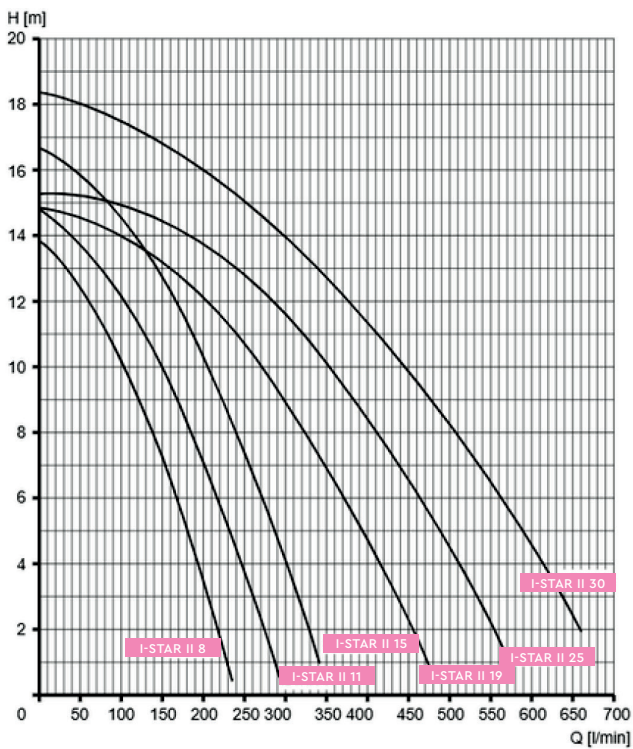
A Reliable Mechanical Seal

The mechanical seal is mounted on a protective shaft made of synthetic resin. The motor shaft never comes into contact with the pool water.

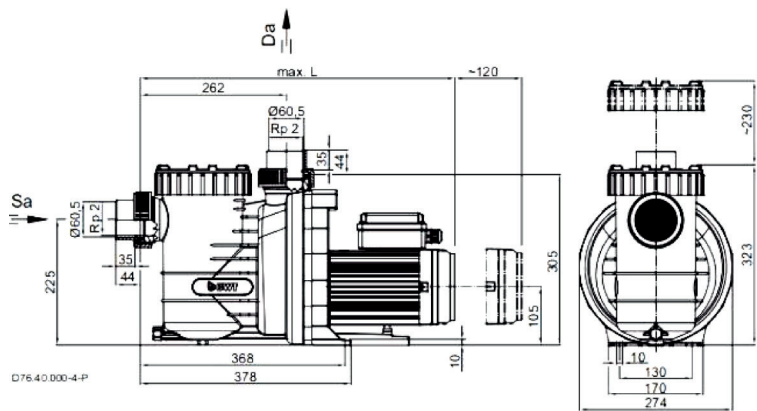
A Quiet Pump

Thanks to its innovative design - featuring a large pre-filter and next generation volute - using low-friction materials, this pump delivers exceptional quietness, making it the most silent in its class.

Flow Curve Chart



Dimensions



Austral SKU	Model	Rated Amps	P1 kW	P2 kW	HP	dBA at 1M	Ø Ports Suct	Ret	Length
2114002	BWT i-Star II 8	2.60	0.60	0.30	0.4 hp	57.6	50mm	50mm	525mm
2114003	BWT i-Star II 11	3.30	0.69	0.45	0.5hp	57.3	50mm	50mm	525mm
2114005	BWT i-Star II 15	4.70	1.02	0.65	0.75hp	58.0	50mm	50mm	550mm
2114007	BWT i-Star II 19	5.30	1.17	0.75	1.0 hp	63.4	50mm	50mm	524mm
2114009	BWT i-Star II 25	6.40	1.65	1.10	1.5hp	65.6	50mm	50mm	542mm
2114011	BWT i-Star II 30	7.40	1.88	1.50	2.0hp	65.1	50mm	50mm	574mm



I STAR II PUMPS

**ES RANGE
MEDIA FILTERS**

LSC CHLORINATOR



BWT

Pool Products



bwt pools.co.nz

AUCKLAND
 Austral BWT
 4 Hannigan Drive St Johns
 Auckland 1072 New Zealand
T +64 9 570 9570
E info@austral.co.nz

MELBOURNE
 Lincoln BWT
 27 Lakewood Blvd
 Braeside Victoria 3195
T 03 9580 9016
E sales@linc.com.au

SYDNEY
 Lincoln BWT
 Unit 3/13 - 21 Hallmark St
 Pendle Hill NSW 2145
T 02 9674 6008
E sales.sydney@linc.com.au

BRISBANE
 Lincoln BWT
 Unit 2/67 Bluestone Circuit
 Seventeen Mile Rocks QLD 4073
T 07 3279 0083
E sales.brisbane@linc.com.au

PERTH
 Austral Pool Solutions BWT
 5 / 160 Balcatta Road
 Balcatta WA 6021
T 08 9240 5600
E sales@australpool.com.au